

Somfy LT50/LT60 Wired Motors

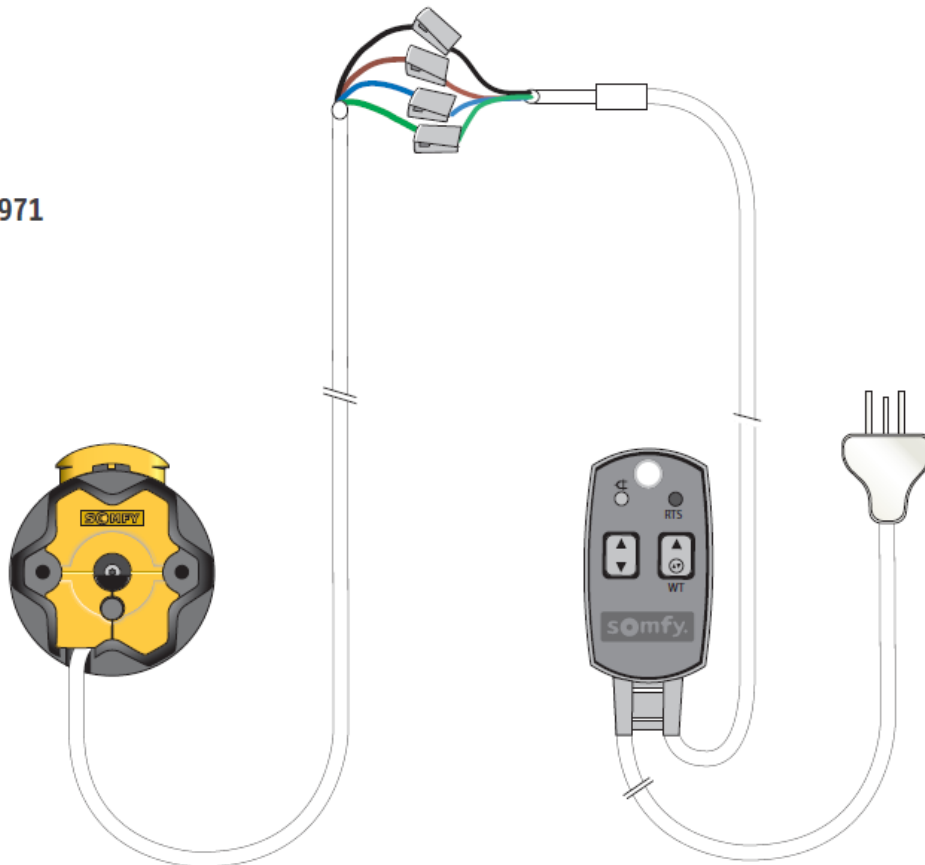
Limit Settings

1. When you first install your motor or roll shutter, you must assume that the motor limits are not set. This will prevent damage to the roll shutter or motor.
2. Using a test kit or wall switch, connect power to a single motor.

Somfy Test Lead

Reference - 9015971

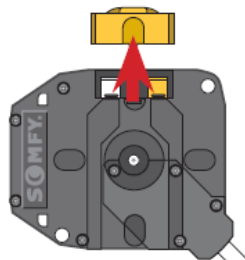
Somfy
tubular motor



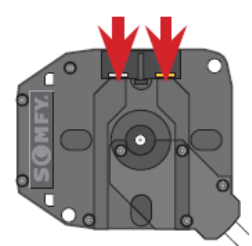
3. Remove the motor limit plug cap and press both limit buttons so they are in the lowered position.



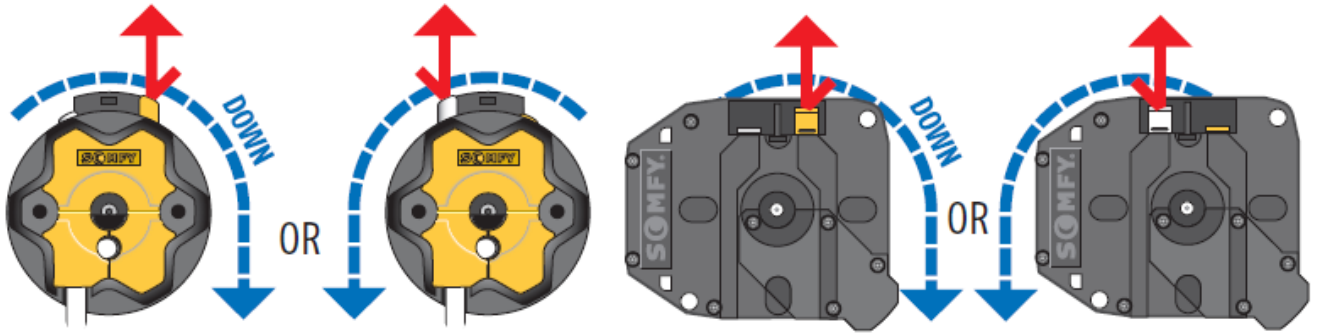
Remove the limit cap



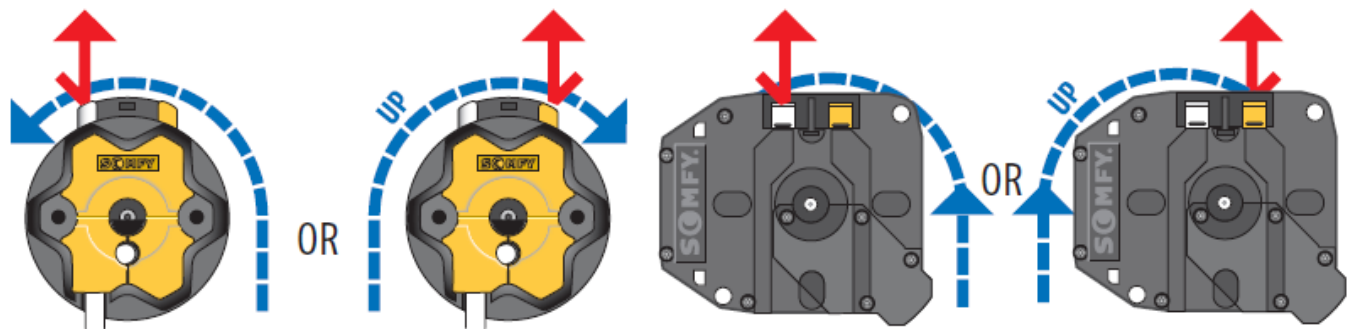
Press both limit buttons



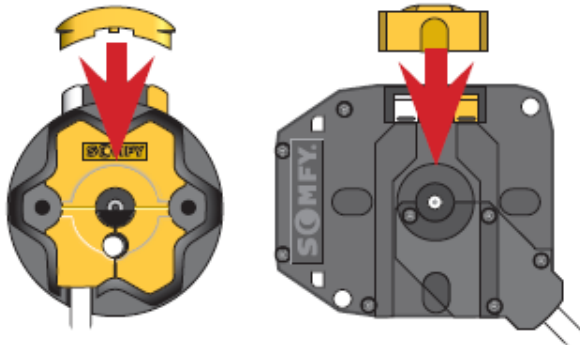
4. Press the down button on the switch and release the button when the motor reaches its lower limit. Press the corresponding limit switch button on the motor to set your lower limit.



5. Press the up button on the switch and release the button when the motor reaches its upper limit. Press the corresponding limit switch button on the motor to set your upper limit



6. Replace any protective caps on the motor limit switches and test your new limits.



7. For assistance, please contact Ultra Lite Shutters.

Ultra Lite Shutters

info@ultralite.ca

1-877-350-3667