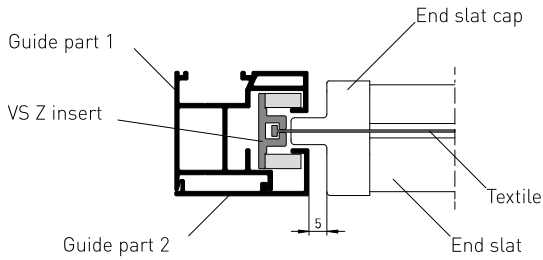


# Service

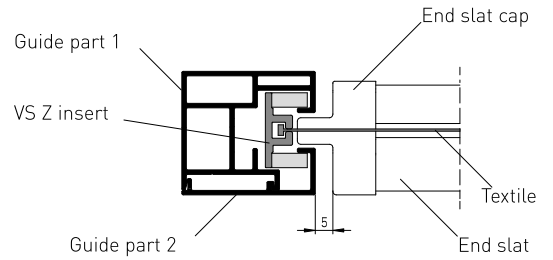
## Cutting Lengths Single-part Element

heroal VS Z

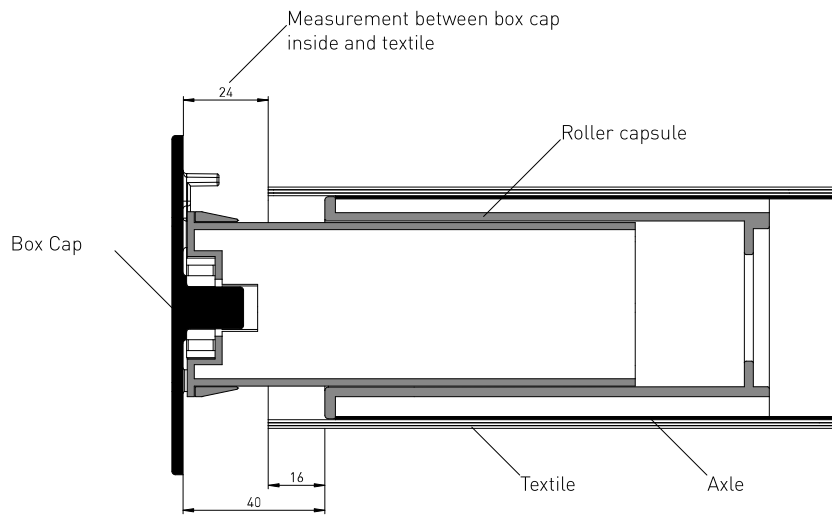
Section B-B  
Scale 1:2



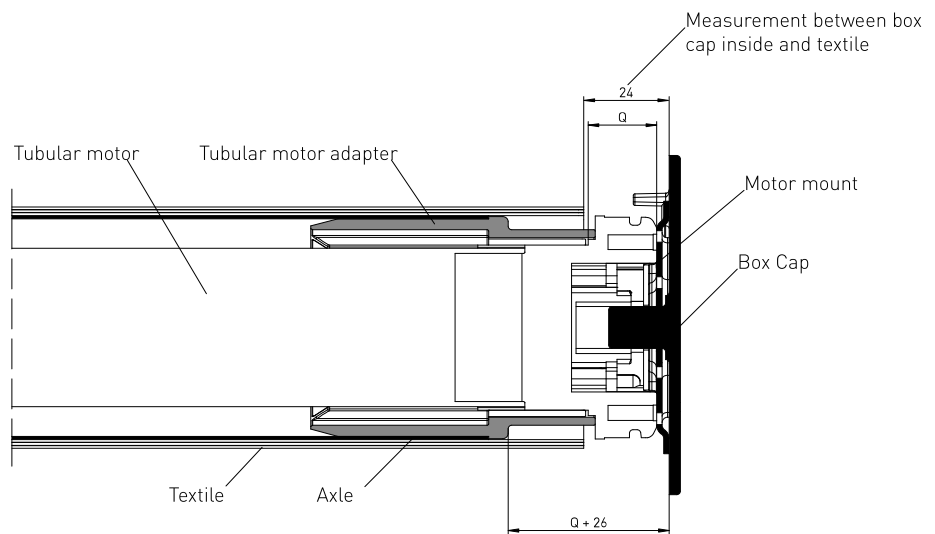
Section B-B Contra guide  
Scale 1:2



Detail C  
Scale 1:2



Detail D  
Scale 1:2

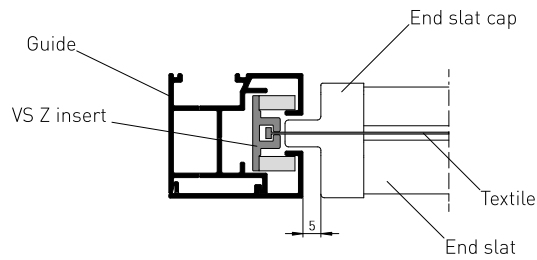


# Service

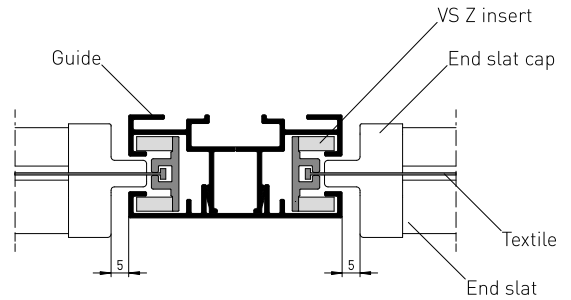
## Cutting Lengths Multi-part Element with a Drive

heroal VS Z

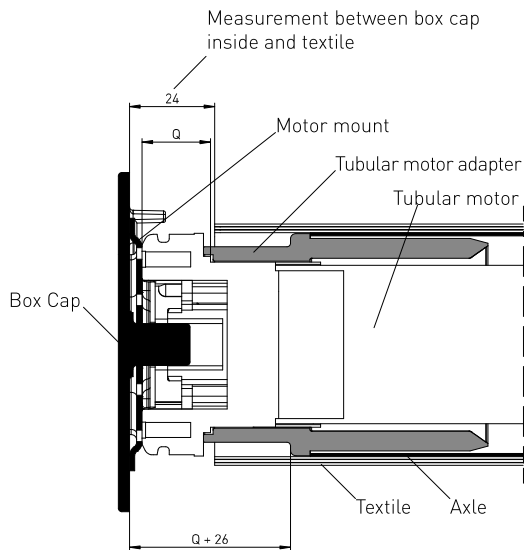
Section B-B  
Scale 1:2



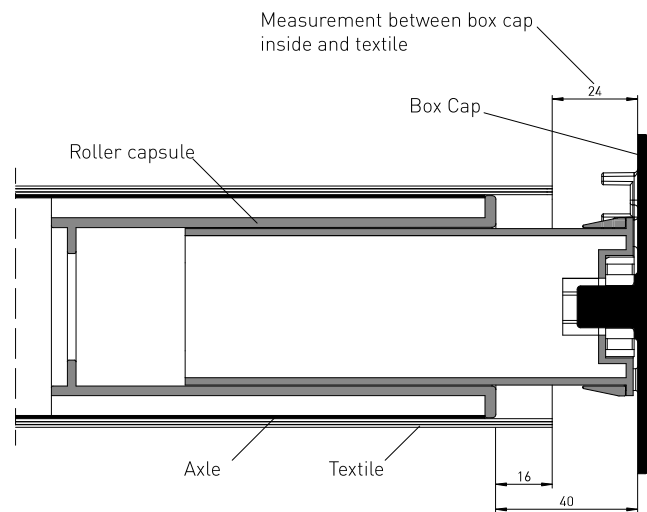
Section C-C  
Scale 1:2



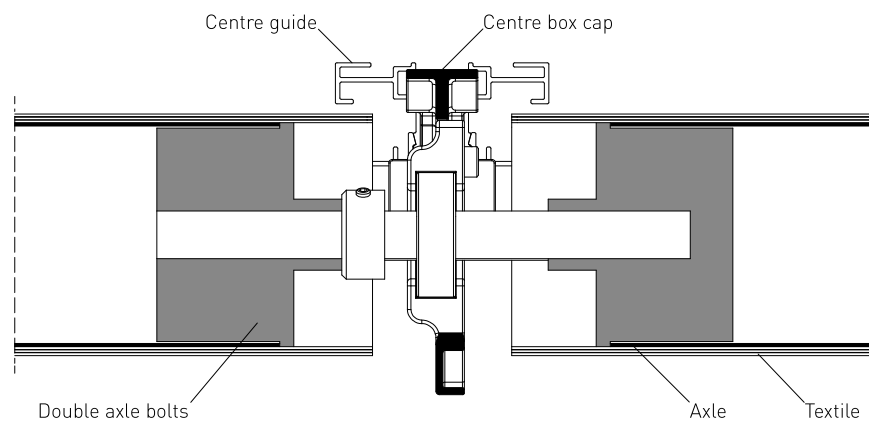
Detail D  
Scale 1:2



Detail F  
Scale 1:2



Detail E  
Scale 1:2

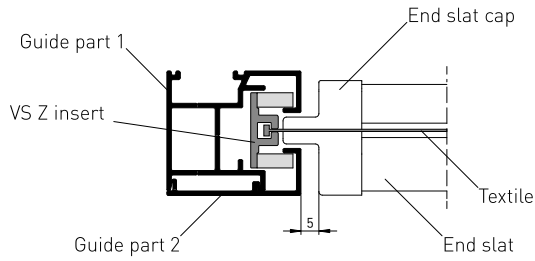


# Service

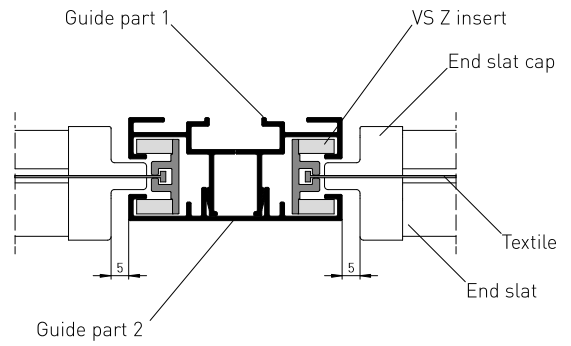
## Cutting Lengths Multi-part Element with up to 3 Drives

heroal VS Z

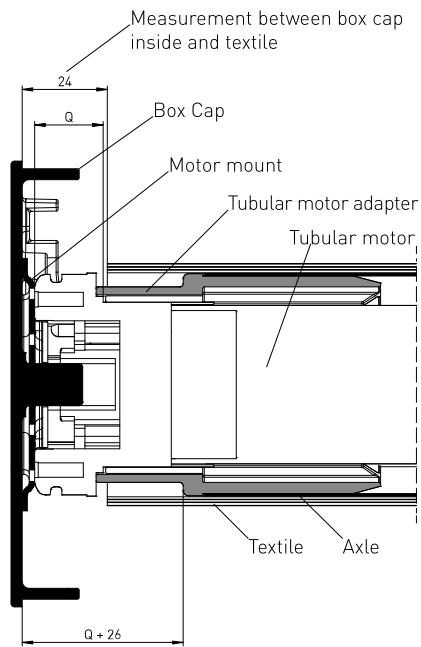
Section B-B  
Scale 1:2



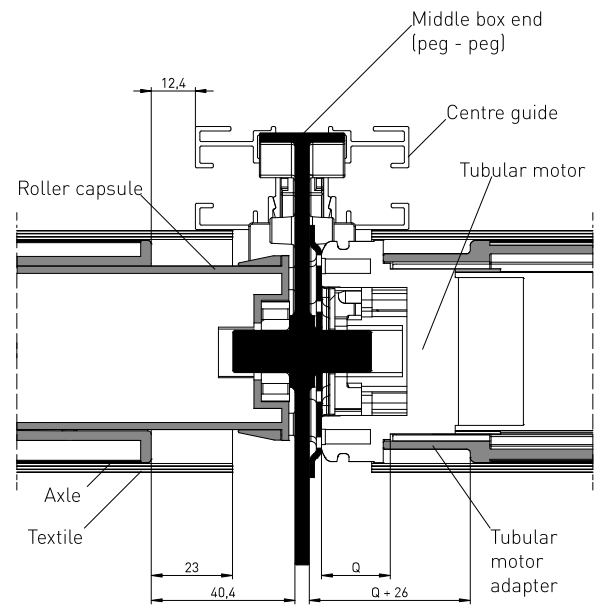
Section C-C  
Scale 1:2



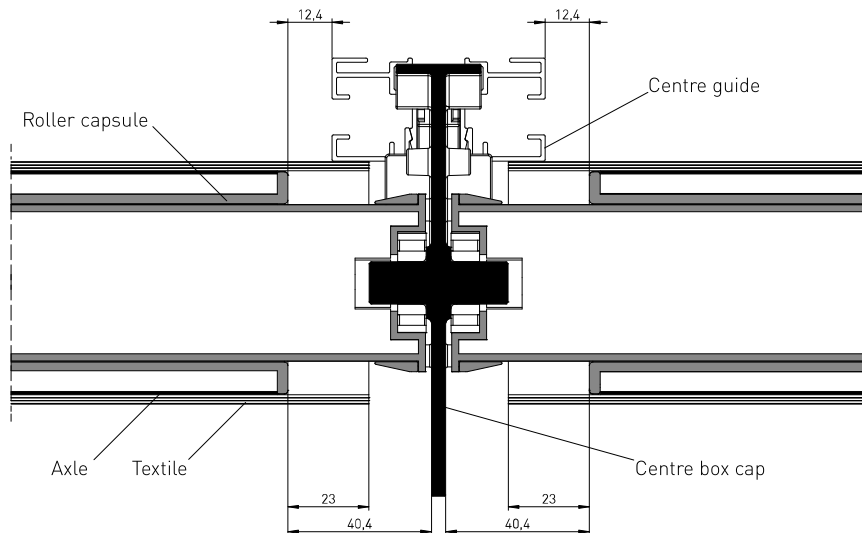
Detail D  
Scale 1:2



Detail E  
Scale 1:2



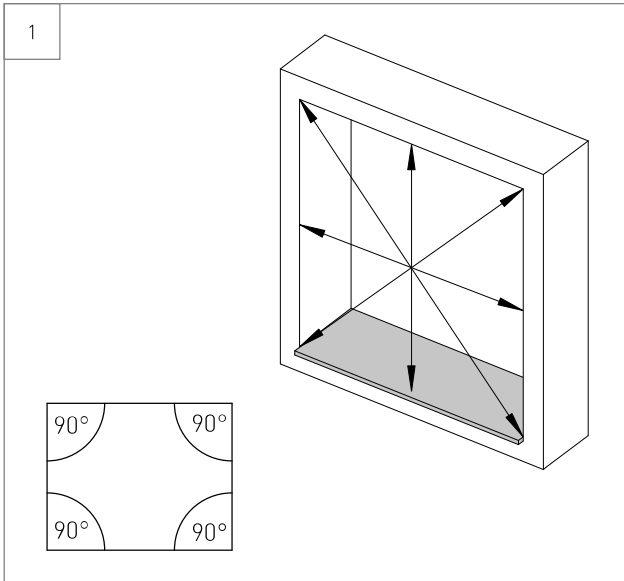
Detail F  
Scale 1:2



# Service

## On-site Assembly

## heroal VS Z



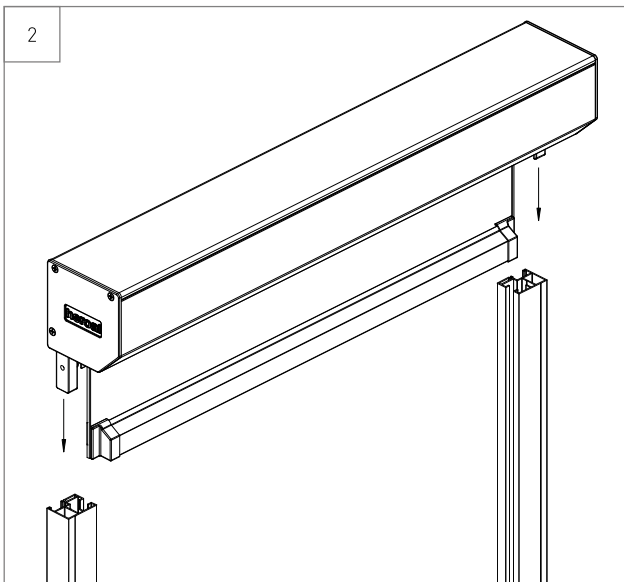
### 1. Check structure

Check the clear width and height of the window opening and ensure that the dimensions correspond to the specifications of the VS Z system.



» Please ensure the following properties:

- The sides must be plumb-vertical and face each other.
- The lintel must be even and horizontal.
- Nothing may protrude into the room.
- If needed, remove unevenness on the lintel, the sides and the floor. The contact surfaces of the box and the guide rails must be flat.



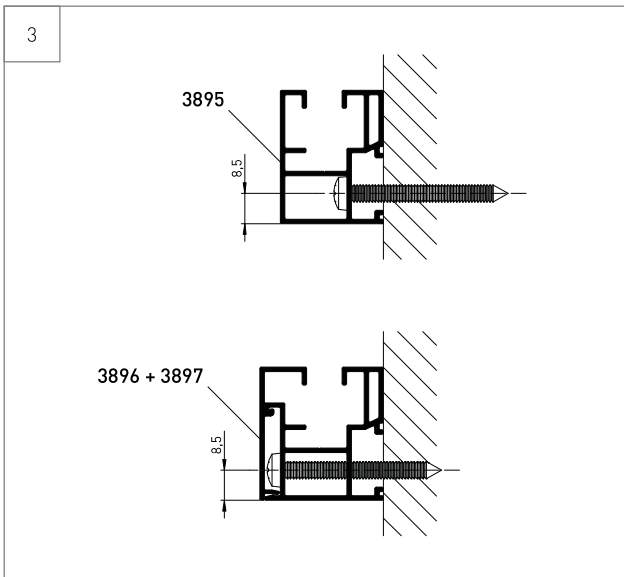
### 2. Place the box on top

» Unwind the textile approx. 150 mm in advance. This ensures a better threading of the textile into the guide. A motor adjustment cable is suitable for this purpose.

» Insert the box cap feet into the guides.



» Attach the guides onto the box cap with a 4.8 x 13 mm (18414) pan-head self-tapping screw.



### 3. Wall installation

» Mounting with or without stepped bore.

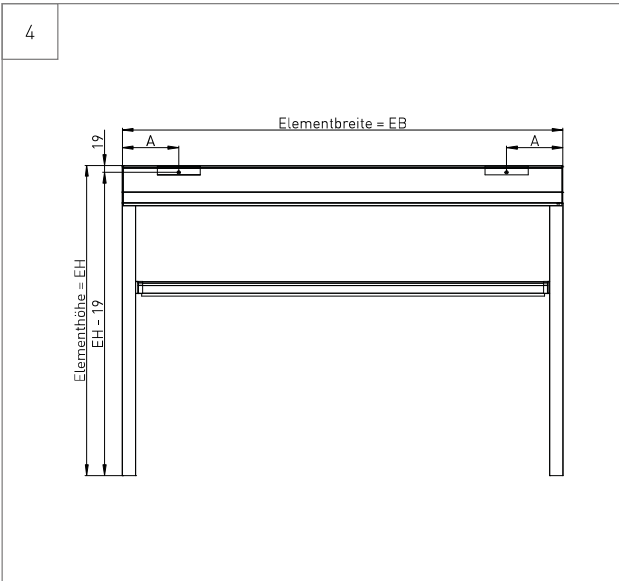


» The type of attachment must be adapted to the condition of the structure.

# Service


## On-site Assembly

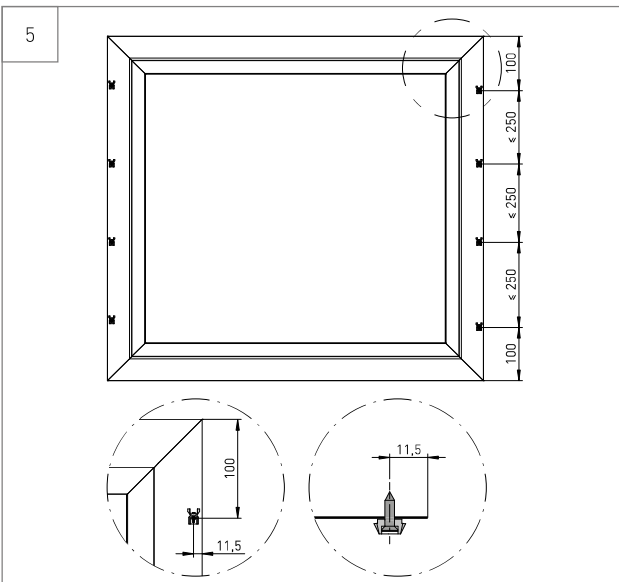
## heroal VS Z




### 4. Mounting bracket for box system 105 & 125


EW [mm]	Mounting Bracket [pcs]	Dimension A [mm]
1500 - 3000	2	250 - 300
3001 - 5000	2	300 - 800

 » Provides additional stability.




### 5. Mounting the clamp support


 » Mount the clamp support onto the structure according to the drawing.


 » The type of attachment must be adapted to the condition of the structure.



### 6. Inserting into the reveal

 » Place the system in the reveal and fix the guide rails to the structure using clips or screws (see step 7).

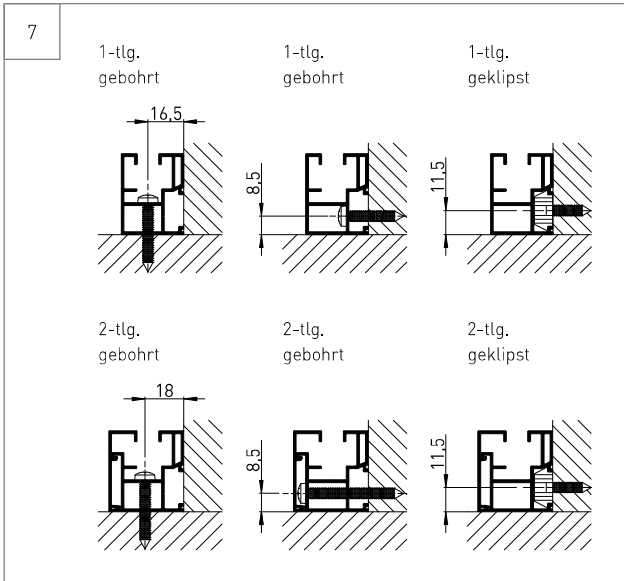
 » When erecting the system, make sure that the box is held at the ends.  
 » Set up must be even.  
 » One-sided loading of the box cap feet must be prevented in order to prevent breakage.  
 » Place the inserts into the guide rails and install the cover profiles.

 » The type of attachment must be adapted to the condition of the structure.

# Service

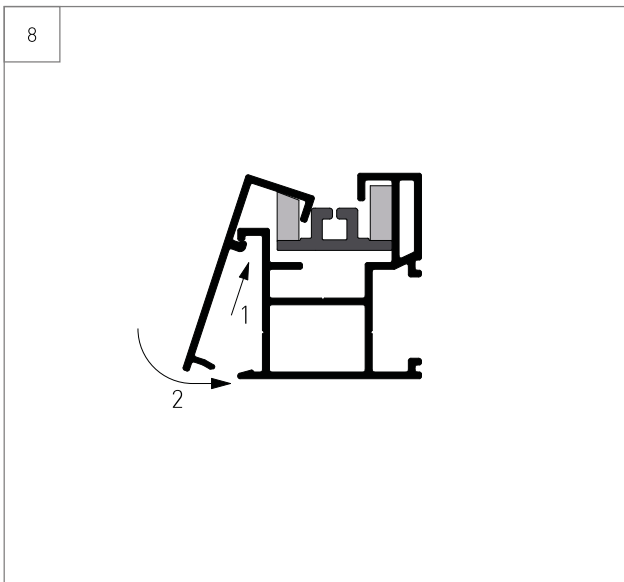
## On-site Assembly

## heroal VS Z



### 7. Mounting in the reveal

- » Mounting of the guides clipped with clamping support or by drilling.

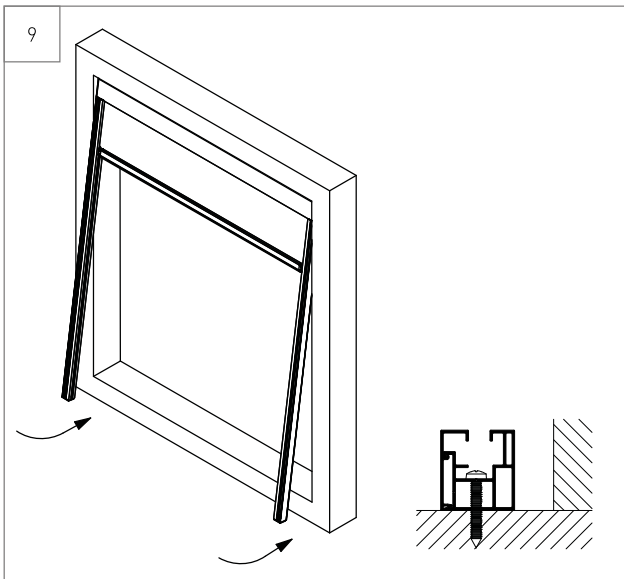


### 8. 2-part guide

- » After installing the insert, place the cover profile onto the guide and click into place.
- » Then check whether the foam rubber strips are lying correctly in the guides.



» Pay attention to step 6 of the workshop assembly!



### 9. Inserting into the reveal counter assembly



» Place the system in the reveal and fasten the guide rails to the structure with screws.



» When erecting the system, make sure that the box is held at the ends.

» Set up must be even.

» One-sided loading of the box cap feet must be prevented in order to prevent breakage.

» Place the inserts into the guide rails and install the cover profiles.



» The type of attachment must be adapted to the condition of the structure.